





**Nameplate Specifications**

Phase	1	Output HP	0.50 Hp
Output KW	0.37 kW	Voltage	115/208-230 V
Speed	3450 rpm	Service Factor	1.25
Frame	48	Enclosure	Drip Proof
Thermal Protection	Automatic	Efficiency	66 %
Ambient Temperature	40 °C	Frequency	60 Hz
Current	8.2,3.9-4.1 A	Power Factor	0
Duty	Continuous	Insulation Class	B
KVA Code	L	Drive End Bearing Size	6203
Opp Drive End Bearing Size	6203	UL	Recognized
CSA	Yes	CE	N
Number of Speeds	1		

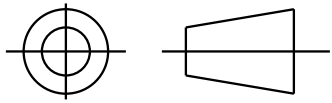
**Technical Specifications**

Electrical Type	Capacitor Start Induction Run	Starting Method	SM
Poles	2	Rotation	Counterclockwise/Clockwise
Mounting	Resilient Base	Motor Orientation	ANY
Drive End Bearing	BALL	Opp Drive End Bearing	Ball
Frame Material	Rolled Steel	Overall Length	11 in
Frame Length	7.22 in	Shaft Diameter	0.500 in
Shaft Extension	1.5 in		
Outline Drawing	52A101469P7	Connection Drawing	52A105383AA

This is an uncontrolled document once printed or downloaded and is subject to change without notice. Date Created:09/18/2024

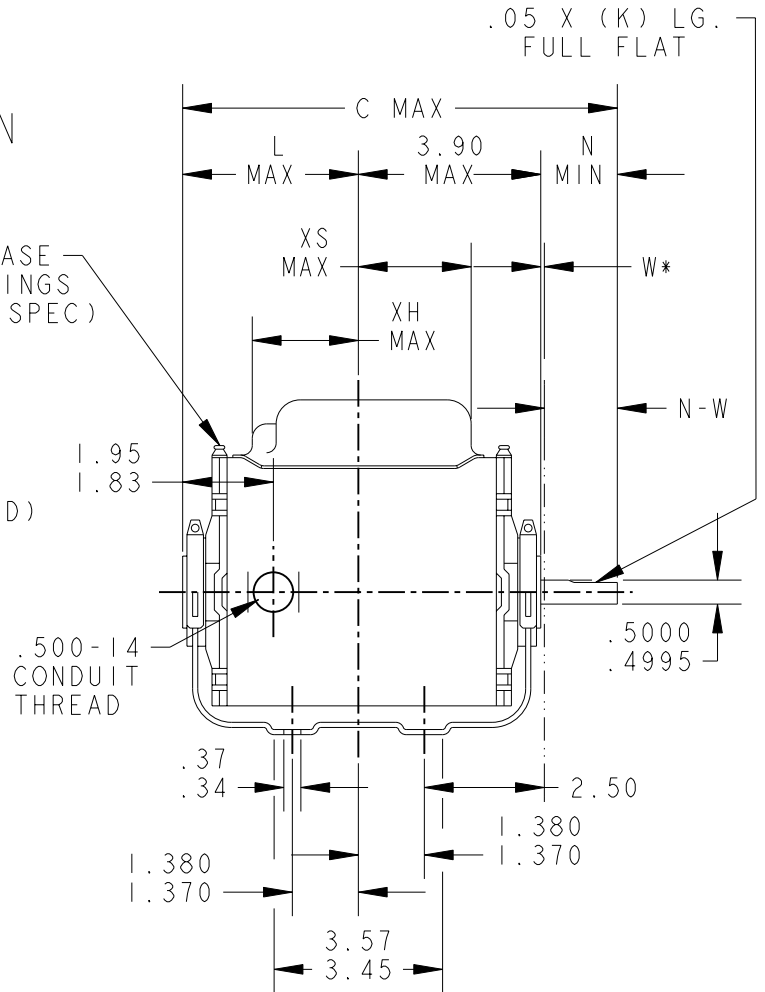
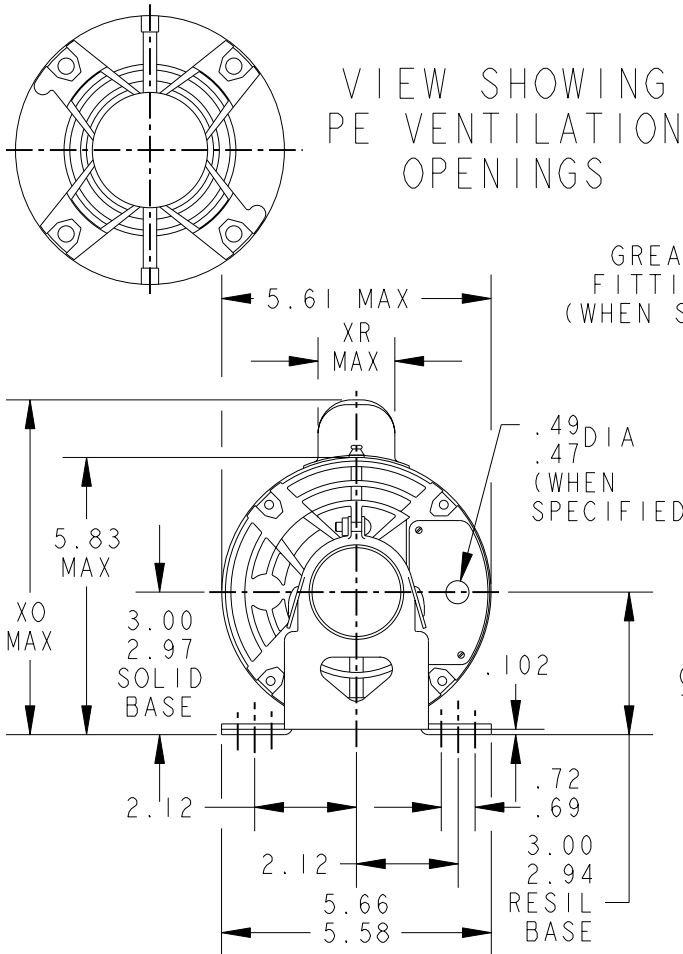
SHEET 10  
REV 10  
52A101469  
SIZE DRAWING NO. A

THIRD ANGLE PROJECTION



REVISIONS

REV.	DESCRIPTION	DATE	APPROVED
9	REDRAWN NO CHANGE T196-22390	07/10/96	MDP
10	CHG TO RBC FORMAT PER IS 05-1777	12/15/05	GOVARDAN




\*W IS A CLEARANCE DUE TO VARIATION IN PARTS & ASSEMBLY.

7	KC	38	48	11.00	5.65	4.02	7.31	1.60	1.75	1.50	1.63/1.41	1.16
6	KC	35	48Z	10.32	4.22	2.59	7.93	2.22	1.97	2.25	2.38/2.16	1.91
5	KC	36	48	10.00	4.65	3.02	7.93	2.22	1.22	1.50	1.63/1.41	1.16
4	KC	37	48	10.40	5.05	3.42	7.31	1.60	2.35	1.50	1.63/1.41	1.16
3	KC	36	48	10.00	4.65	3.02	7.31	1.60	2.35	1.50	1.63/1.41	1.16
2	KC	35	48	9.57	4.22	2.59	7.31	1.60	1.97	1.50	1.63/1.41	1.16
1	KC	33	48	9.19	3.84	2.21	7.31	1.60	2.35	1.50	1.63/1.41	1.16

PT	TYPE	GE SIZE	NEMA FR	C	L	XH	XO	XR	XS	N	N-W	K
----	------	---------	---------	---	---	----	----	----	----	---	-----	---

SIGNATURES		DATE
MODEL	GLB	02/18/75
DETAIL	.	.
CHECKED	.	.
ENGRG	.	.
MFG	.	.
QUALITY	.	.
ISSUED	MDP	07/10/96
SOLID MODEL: 52A101469		



**REGAL-BELOIT CORPORATION**

**TITLE**  
**OUTLINE**

**FORM N - GENERAL PURPOSE MOTOR - DRIP PROOF - SOLID OR RESIL BASE - BALL OR SLEEVE BEARING**

SCALE: 1.000 REF. No: . SHEET 1 of 1

FOR ADDITIONAL INFO REFER TO:  
 APPLIED PRACTICES  
 DIMENSIONS ARE IN INCHES ✓  
 MATERIAL

EITHER ROTATION, DUAL VOLTAGE, TYPE KC OR KH, WITH THERMAL PROTECTION



NOTE #1 - START CAP & J9 WHEN SPECIFIED (\*). IF NO CAPACITOR (KH), CONNECT T5 DIRECTLY TO SWITCH (A). WHEN MORE THAN ONE CAPACITOR IS USED, CONNECT IN PARALLEL.

NOTE #2 - TO REVERSE ROTATION, INTER CHANGE RD(T8) AND BLK(J9-KC OR T5-KH) LEADS.

SWITCH REF. - 115D958AB	CONNECTION LABEL	CCW ROTATION: NP52X332051AA
		CW ROTATION: NP52X332051AC

NO.	REVISION	BY & DATE	CHK	ANG	TOLERANCES UNLESS SPECIFIED		FINISH	DRAWN M.D.P 06/29/87			
					DEC.	INCHES					
5	ADDED CONNECTION LABEL PER ECO-0030779	UD 02/06/13	PKG	.XXX	±0.005		TITLE CONNECTION DIAGRAM 30 FRAME SWITCH REDESIGN	CHK			
4	UPDATED PER ISO7-0150	MD 01/23/07		.XXX	±0.0005	MAT'L.		APPD M.D.P 03/26/96			
								SCALE 1=1			
								REF			
								FMF			
								PREV			
THIS DRAWING IN DESIGN AND DETAIL IS OUR PROPERTY AND MUST NOT BE USED EXCEPT IN CONNECTION WITH OUR WORK. ALL RIGHTS OF DESIGN AND INVENTION ARE RESERVED. THIS IS AN ELECTRONICALLY GENERATED DOCUMENT - DO NOT SCALE THIS PRINT							RFP	CAD FILE 52A105383AA	SIZE A	DRAWING NO. 52A105383AA	REV. 5
							DIST				